



Cooperation. Win-win. Creation. Development



SHIPPING CONTAINER HOUSE

SHIPPING CONTAINER HOUSE
COMPREHENSIVE ALBUM



ABOUT GUOSE

FACTORY HEADQUARTERS

The factory is headquartered in Foshan City, Guangdong Province, covering an area of 30,000 square meters, with a beautiful environment, complete factory facilities, convenient transportation, and close to the expressway. With its superior geographical location and fast delivery and assembly time, it provides customers with comprehensive, high-quality, economical and convenient ordering services.



COMPANY PROFILE

Guose Group was established in 1996 and has 26 years of production experience. Its main products include container houses, light steel houses, apple cabins, space capsules, gas station roofs and related products, trailer houses, RVs, etc. The factory is headquartered in Foshan City, Guangdong Province, in addition to Guangzhou Branch and Australia Branch, committed to providing customers with one-stop service.



GUANGZHOU SUBSIDIARY

The subsidiary is located in Herun Plaza, Danan Road, Guangzhou City, Guangdong Province, close to Guangzhou Beijing Road Commercial Street, with developed transportation and convenient environment.



PROFESSIONAL TEAM

After years of development, we have a complete service team. Including design team, engineer team, business team, production team.



HONOR AND CERTIFICATION

In addition to implementing 180 9001-2015 quality management system certification, we have also obtained ISO9001, SGS, CE certification, and registered several patented technologies.

SHIPPING CONTAINER HOUSE

Compared with traditional buildings, shipping container house have shorter construction time and lower construction costs, and can be factory-produced, which greatly improves construction efficiency. One of the biggest advantages of shipping container house is that they can be recycled, which not only saves the generation of construction waste, but also makes full use of existing resources. In addition, the shipping container house is also mobile and detachable, and its location and use can be changed at any time according to needs, and it can be applied to temporary accommodation, urban offices, hotels and tourism, etc.

In the future, shipping container house will continue to be an important part of green buildings. It can not only reduce resource consumption and environmental pollution, but also help to improve energy efficiency and reduce carbon emissions. With the popularization of the concept of sustainable development and the enhancement of people's awareness of environmental protection, the application prospects of shipping container house will be broader.



RESIDENTIAL



In our era of continuous pursuit of sustainable development and innovation, shipping container house have become a new force in the field of residential construction. Not only can it meet the needs of housing, but it also has the advantages of multi-function, mobility and sustainability.

COMMERCIAL



Commercial shipping container house usually have a variety of cultural, artistic, entertainment and other elements, which can display and promote local culture and brand creativity. Among them, shipping container house are used to create their own unique space and atmosphere, forming a strong appreciation and experience.

JC-01

40 FEET RESIDENTIAL
SHIPPING CONTAINER HOUSE



BASIC PARAMETERS

Size: 11600*2250*2450mm

Area: 26.1m²

Layout: 2 bedrooms, 1 living room, 1 kitchen, 1 bathroom

Wall: 50mm wave rock wool board

Roof: eps foam board + waterproof membrane + color steel tile

Door: aluminum alloy glass casement door/ecological wooden door/titanium magnesium alloy door

Windows: aluminum alloy frame fixed window/aluminum alloy top hung window

Interior decorative wall panels: bamboo fiberboard

Floor: cement fiberboard/SPC lock floor

Including furniture:

Toilet*1

Shower set*1

Cabinet floor cabinet*1

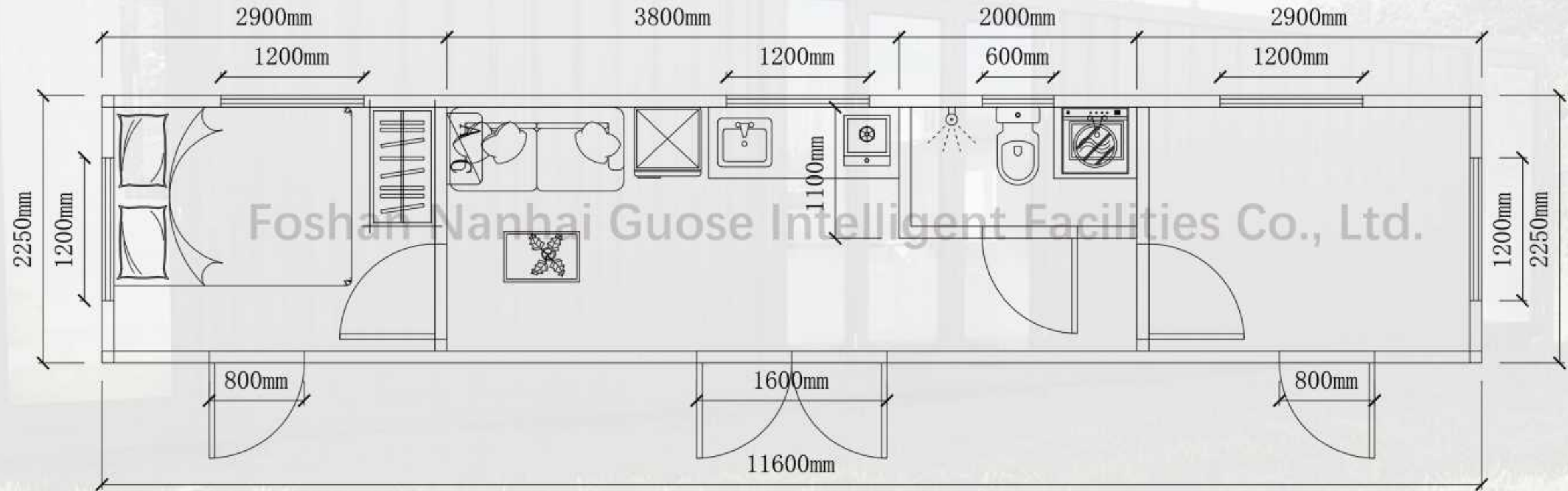
Cabinet hanging cabinet*1

Shower basin*1

Mirror cabinet*1

JC-01

40 FEET RESIDENTIAL SHIPPING CONTAINER HOUSE LAY OUT



Foshan Nanhai Guose Intelligent Facilities Co., Ltd.

LAY OUT

JC-02

40 FEET RESIDENTIAL SHIPPING CONTAINER HOUSE



BASIC PARAMETERS

Size: 11600*2250*2450mm

Area: 26.1m²

Layout: 1 bedrooms, 1 living room,
1 kitchen, 1 bathroom

Wall: 50mm wave rock wool board

Roof: eps foam board + waterproof membrane + color steel tile

Door: aluminum alloy glass casement door/ecological wooden door

Windows: aluminum alloy frame fixed window
/aluminum alloy top hung window

Floor: cement fiberboard/SPC lock floor

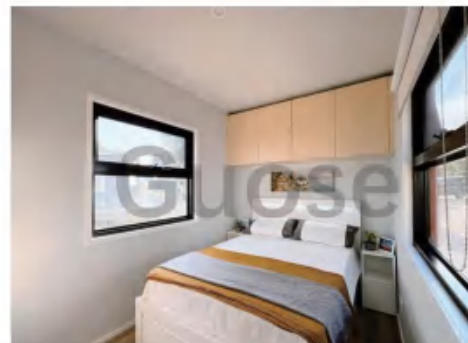
Interior decorative wall panels: bamboo fiberboard



Living room + kitchen:
Sofa set, dining table, Refrigerator,
induction cooker, cabinet base
cabinet, cabinet wall cabinet

Bedroom:
double bed, wardrobe, bedside table

Bathroom:
toilet, sink, washing machine, shower
room, shower set, mirror cabinet



JC-02

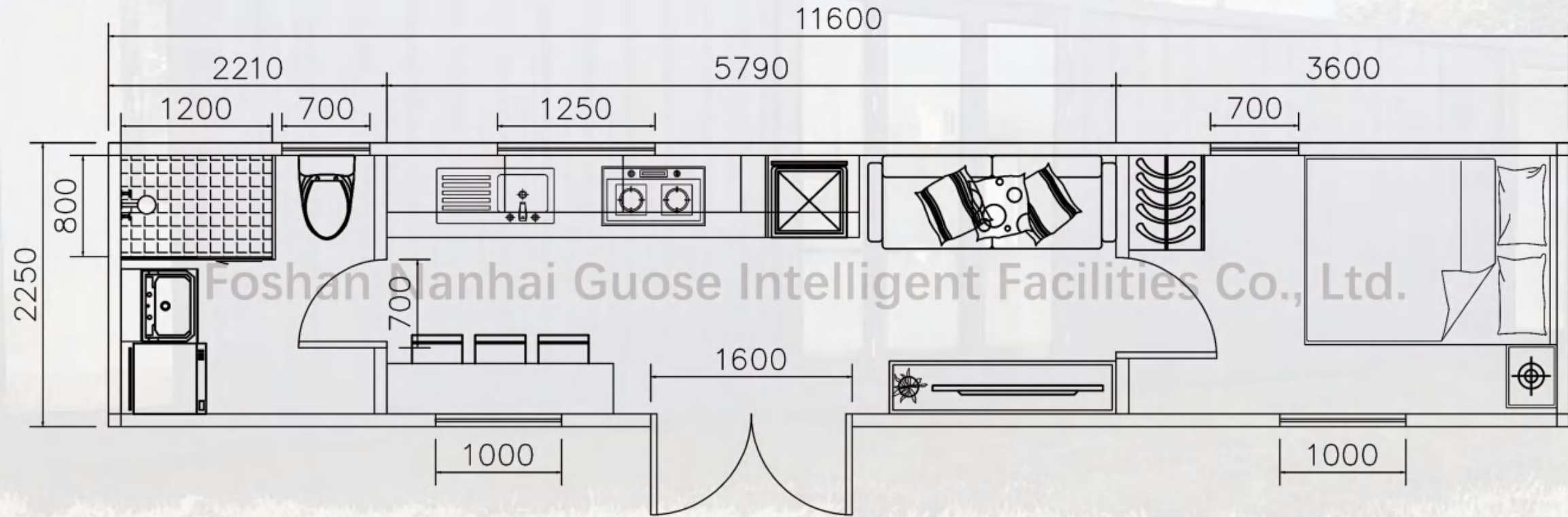
40 FEET RESIDENTIAL
SHIPPING CONTAINER HOUSE

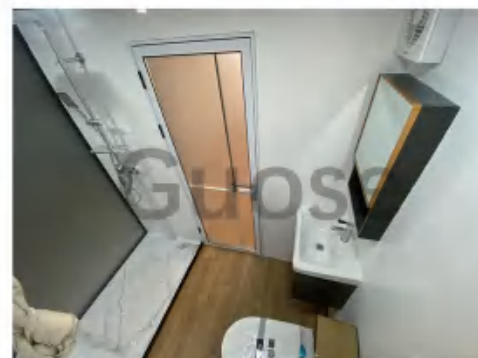


Foshan Nanhai Guose Intelligent Facilities Co., Ltd.

JC-02

40 FEET RESIDENTIAL SHIPPING CONTAINER HOUSE LAY OUT

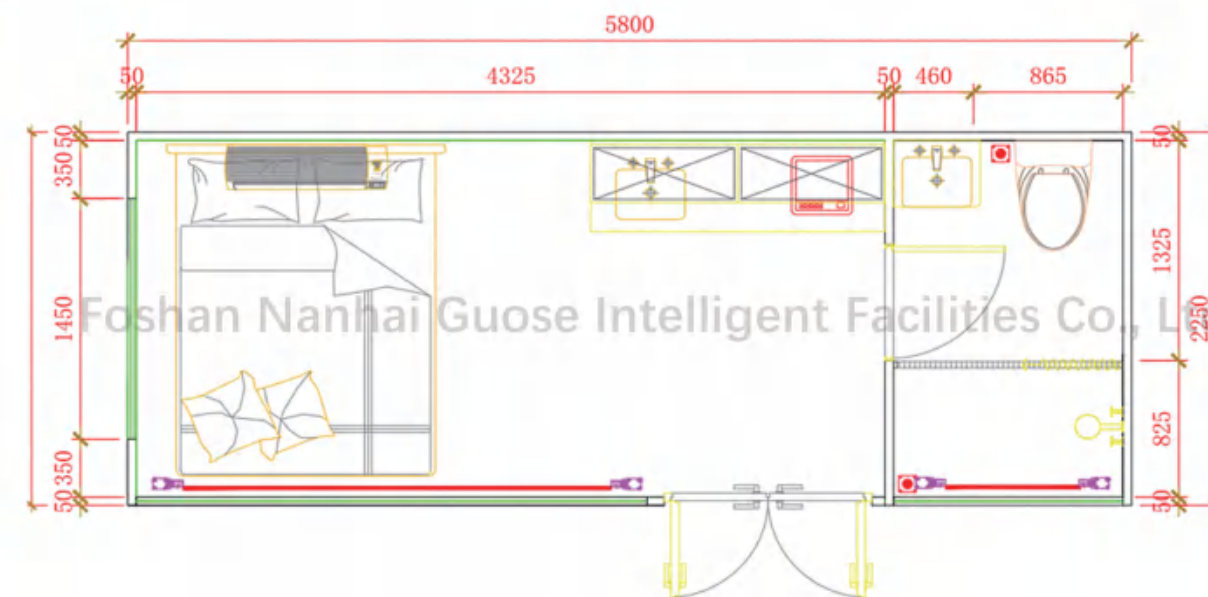




JC-03

20 FEET RESIDENTIAL

SHIPPING CONTAINER HOUSE LAYOUT



Size: 5800*2250*2450mm

Area: 13.05m²

Bedroom + kitchen configuration: rollover bed combination, cabinet wall cabinet, cabinet base cabinet, locker, wall cabinet, sink, air conditioner, induction cooker

Bathroom: toilet, sink, shower head, shower curtain (dry and wet separation), bathroom door, bathroom exhaust fan, water heater

JW-01

20 FEET SHIPPING CONTAINER HOUSE



Size: 5800*2250*2450mm

Area: 13.05m²

Configuration:

hydraulic bar window, window sill, door, cement fiberboard+spc floor, pvc ceiling, bamboo wood fiber wallboard, lamp*1, switch*1, socket*2

JW-02

20 FEET SHIPPING CONTAINER HOUSE



Size: 5800*2250*2450mm

Area: 13.05m²

Usable area: 26.1m²

First floor configuration:

hydraulic bar window, window sill, door, cement fiberboard + spc floor, pvc ceiling, bamboo wood fiber wall panel, lamp*1, switch*1, socket*2

Second-floor configuration:

terrace wood-plastic floor, dark gray fence, stairs

JW-03

40 FEET SHIPPING CONTAINER HOUSE



Size: 11600*2250*2450mm

Floor area: 26.1m²

Usable area: 52.2m²

First floor configuration:

hydraulic bar windows, sill panels, doors, Cement fiberboard + spc floor, pvc ceiling, Bamboo wood fiber wallboard, lamp*1, switch*1, socket*2

Second-floor configuration:

terrace wood-plastic floor, dark gray fence, stairs



JW-04

20 FEET COMMERCIAL

SHIPPING CONTAINER HOUSE



Size: 5800*2250*2450mm

Area: 13.05m²

Configuration: sliding door, aluminum alloy window, hydraulic window, window sill, anti-skid pattern plate, Spotlights, light boxes, luminous characters

Custom kitchenware: stainless steel sink, stainless steel operating table, stainless steel storage cabinet



Stainless steel locker



Stainless steel console



Stainless steel locker



Stainless steel sink

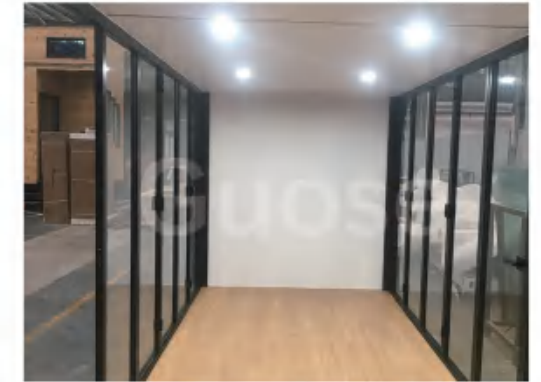
JW-05

20 FEET COMMERCIAL
SHIPPING CONTAINER HOUSE



JW-06

20 FEET COMMERCIAL
SHIPPING CONTAINER HOUSE





SHIPPING

CONTAINER HOUSE



Instagram

Foshan Nanhai Guose Intelligent Facilities Co., Ltd.

Address: No. 8 Shuitou Road, Wenjiao Community, Lishui Town,
Nanhai District, Foshan City, Guangdong Province
